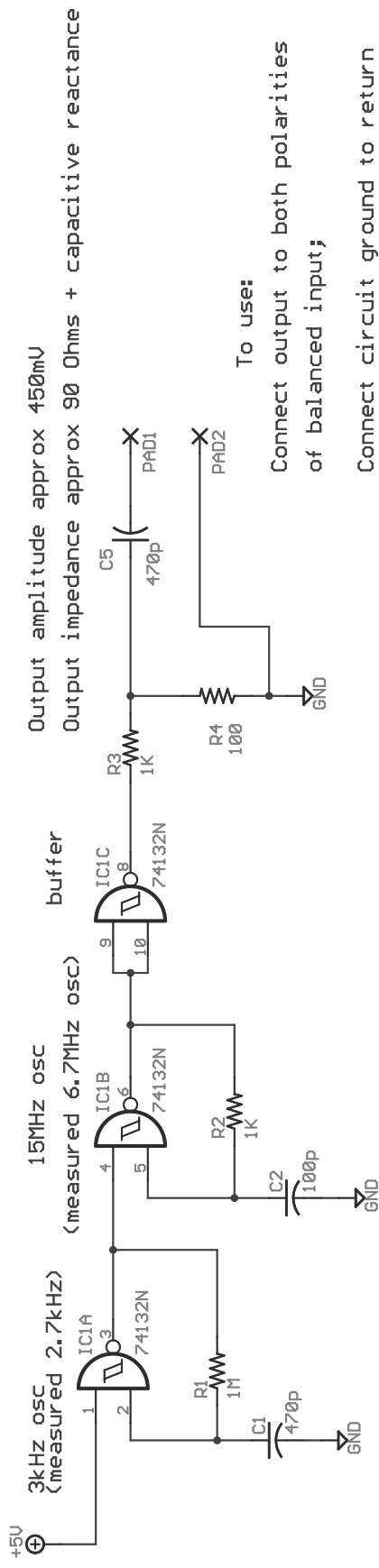


Actual part used is
74HCT132



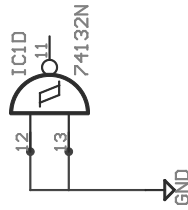
High frequency osc. is
different than calculated
due to parasitic capacitance
Must measure in circuit.

Oscillation frequency calculation:
Oscillation frequency calculation:

$$f = \frac{1}{0.67RC} \quad \text{for HCT parts}$$

$$f = \frac{1}{0.8RC} \quad \text{for HC parts}$$

Unused gate



Modulated Oscillator for RFI test

Chris Caudle March 2002

TITLE: modulated_osc

Document Number:

REV:

Date: 3/27/2002 14:14:03

Sheet: 1/1