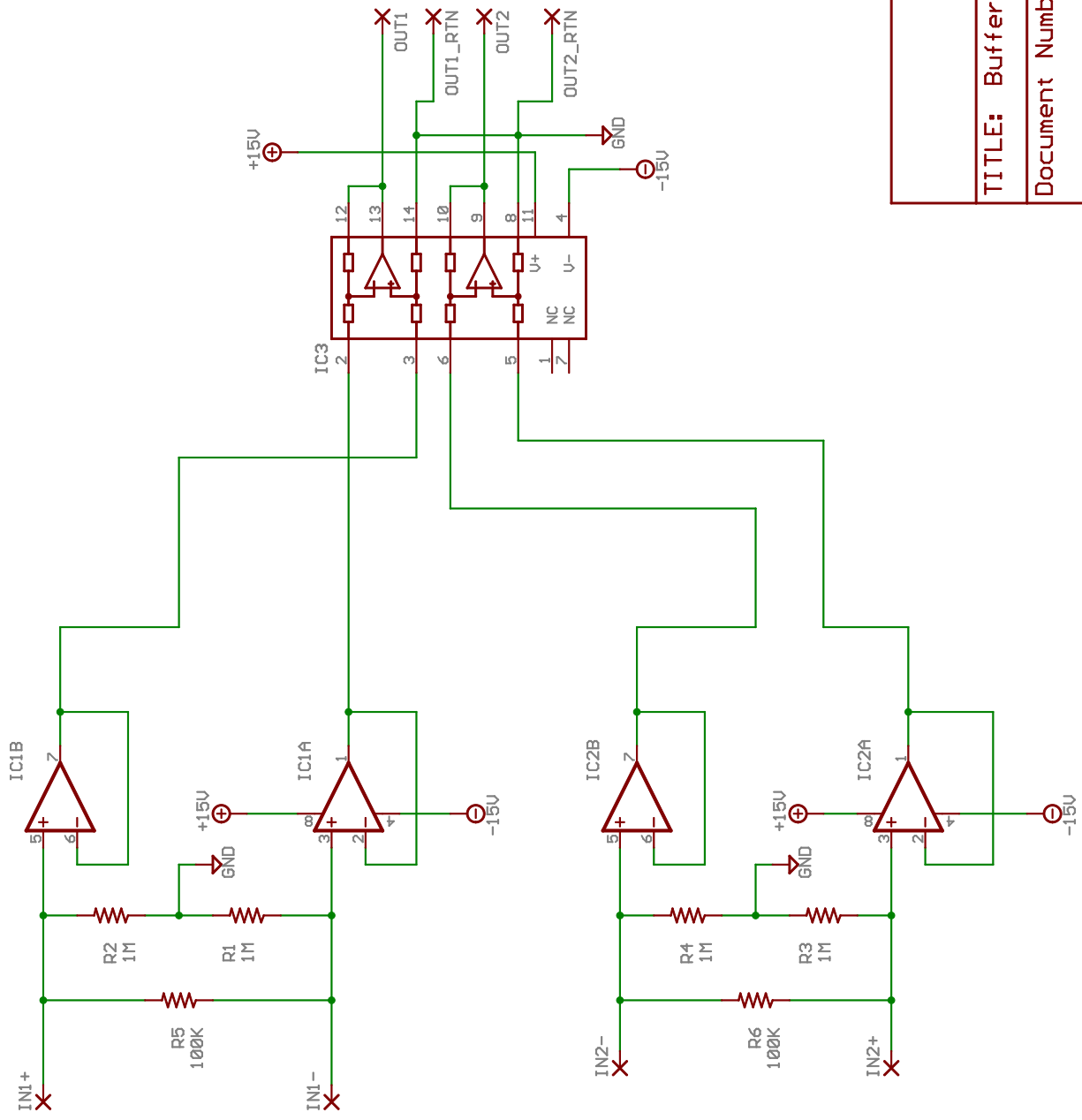


Ceramic caps near each IC
 Additional bulk bypass could/should be added at the board level



TITLE: Buffer_dual_dip

Document Number:

REV:

Date: 4/07/2002 14:02:13

Sheet: 1/1